



# ATLAS 400-410W

M10 / 182 mm Cell - 108 Half-cells



## KEY FEATURES



Gallium-doped Technology



Lower LCOE and BOS



Less Hot Spot Shading effects



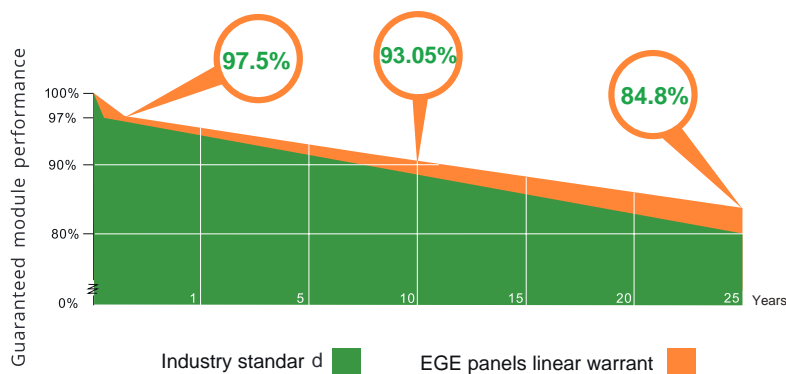
Anti PID/ Low LID protection



Lower temperature coefficient

## LINEAR PERFORMANCE WARRANTY

12-Year Product Warranty · 25-Year Linear Power Warranty



**108 Half-cells(10BB)**

Monocrystalline Module



**20.97%**

Maximum Efficiency



**0~+5W**

Positive Power Tolerance



**GRADE A**

Cells Guaranteed

## COMPREHENSIVE CERTIFICATES

IEC 61215/ IEC 61730 / IEC 61701 / IEC 62716

ISO 9001 : Quality Management Systems



### ELECTRICAL DATA AT STC\*

Power output (Pmax)	400 W	405 W	410 W
Power tolerance	0~+5 W	0~+5 W	0~+5 W
Module efficiency	20.46 %	20.72 %	20.97 %
Maximum power voltage (Vmp)	30.82 V	31.02 V	31.22 V
Maximum power current (Imp)	12.94 A	13.00 A	13.06 A
Open circuit voltage (Voc)	36.94 V	37.14 V	37.34 V
Short circuit current (Isc)	13.60 A	13.65 A	13.70 A

\*Standard Test Conditions (STC) : Irradiance : 1,000 W / m<sup>2</sup> • Cell temperature : 25°C • AM: 1.5

### ELECTRICAL DATA AT NOCT\*\*

Power output (Pmax)	295 W	298 W	302 W
Maximum power voltage (Vmp)	28.78 V	28.98 V	29.18 V
Maximum power current (Imp)	10.25 A	10.28 A	10.35 A
Open circuit voltage (Voc)	34.49 V	34.69 V	34.89 V
Short circuit current (Isc)	10.70 A	10.75 A	10.80 A

\*\*Nominal Operating Cell Temperature (NOCT) : Irradiance: 800 W / m<sup>2</sup> • Environment temperature : 20°C • AM : 1.5 • Wind speed : 1 m/s

### MECHANICAL CHARACTERISTICS

Cell type	Monocrystalline (182x91 mm)
Number of cells	108
Dimensions	1,724x1,134x35mm (1.5mm Cell Gap)
Weight	22 kg
Glass	3.2 mm Tempered glass, High Transmission (>94%), Anti-Reflective Coating
Frame	Anodized aluminium alloy
Junction box	IP68 rated (3 by pass diodes)
Cable	4.0mm <sup>2</sup> ; 300mm(+) / 300mm(-) ; Length can be customized
Connector	MC4 or MC4 compatible
Max front load (e.g.: snow)	5,400 Pa
Max back load (e.g.: wind)	2,400 Pa

### TEMPERATURE CHARACTERISTICS

NOCT	45°C ±2 °C
Temperature coefficient of Pmax	-0.35%/°C
Temperature coefficient of Voc	-0.28%/°C
Temperature coefficient of Isc	+0.048%/°C

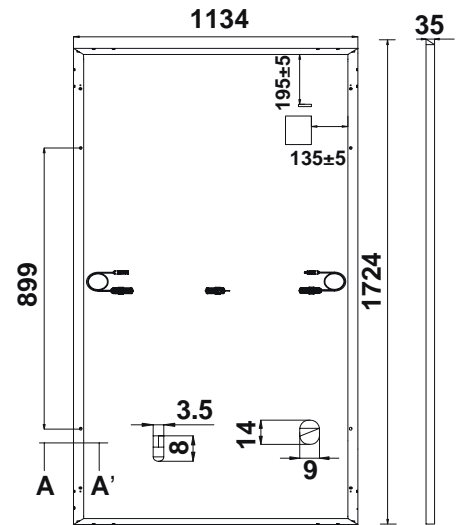
### MAXIMUM RATINGS

Operating temperature range	-40 °C ~+85 °C
Maximum system voltage	1,500 DC (IEC)
Max series fuse rating	25 A

### PACKAGING (1,724x1,134x35mm)

Type	Quantity	Weight
Per Pallet	31 pcs	715 kg
40ft HQ Container	806 pcs	18.6 t

### Dimension of PV Module (mm)



### Frame Cross Section A-A'

